

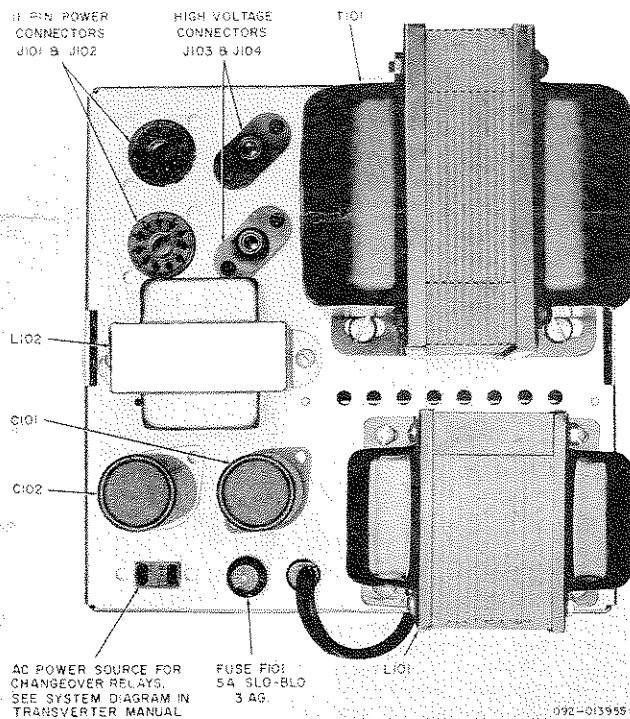
MODEL P-26

POWER SUPPLY

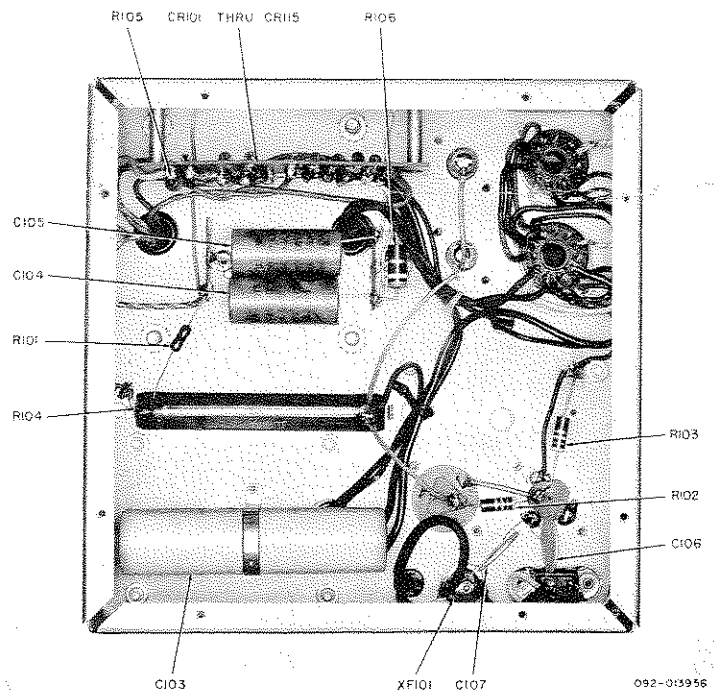
The Model P-26 Power Supply has been designed primarily as a power source for the Models HA-2 and HA-6 Transverters. The design is such that the P-26 may be used to supply one or both transverters. Internal circuitry is so interlocked as to prevent both the HA-2 and HA-6 from being operated at the same time. The P-26

operates from a 105-125 VAC, 60 cycle source.

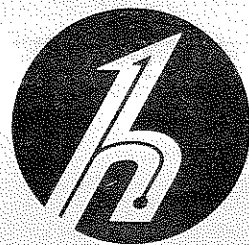
Additional information, regarding interconnection, of the Model P-26 Power Supply and the transverters including diagrams, etc. is available in the Handbook of Operating and Service Instructions for the Model HA-2 and for the Model HA-6 Transverters.



Top View P-26 Power Supply.

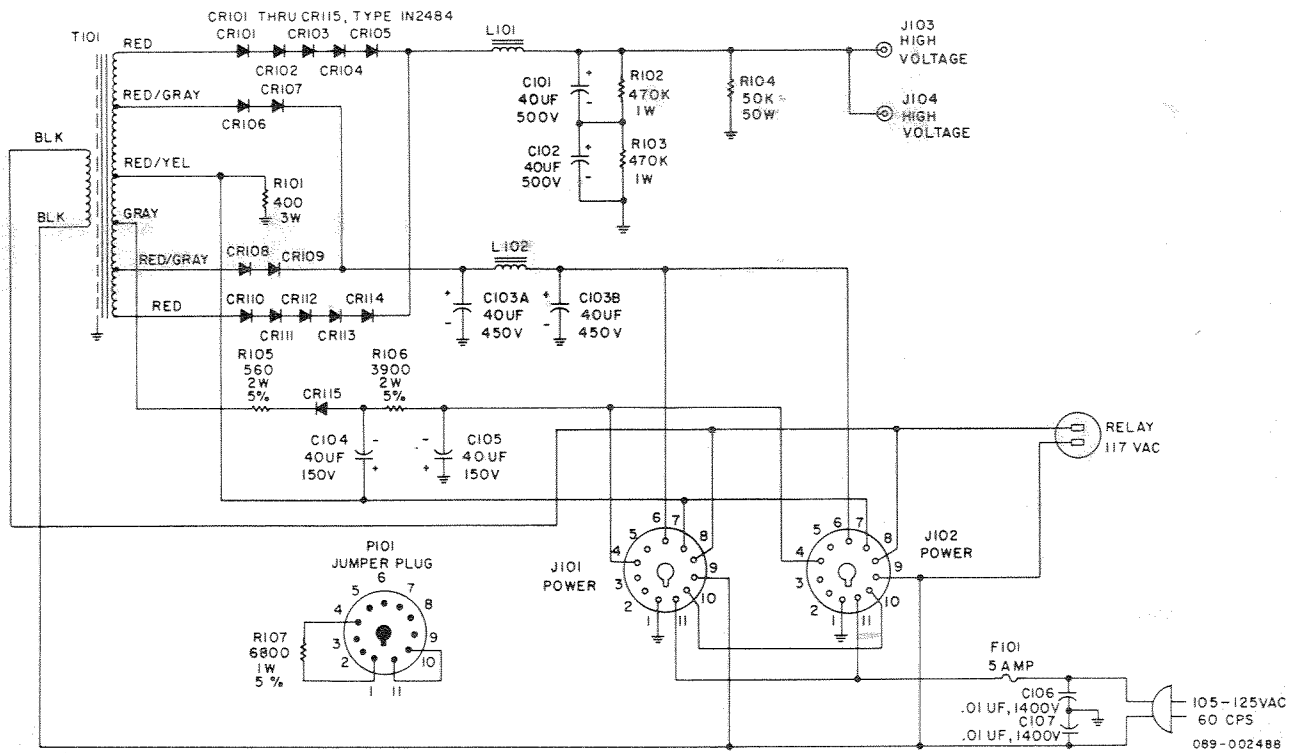


Bottom View P-26 Power Supply.



hallicrafters

• 5TH AND KOSTNER AVE. CHICAGO 24, ILLINOIS



Schematic Diagram of Model P-26 Power Supply.

WIRMZ
9-19-64

MODEL P-26 REPAIR PARTS LIST

Schematic Symbol	Description	Hallicrafters Part Number	Schematic Symbol	Description	Hallicrafters Part Number
C101, 102	Capacitor, Electrolytic, 40 μ F, 500V	045-000782	P101	Plug, 11-Pin	035-100043
C103A, B	Capacitor, Electrolytic, 40 x 40 μ F, 450V	045-000794	R101	Resistor, Wirewound, 400 ohm, 5%, 3 watt	448-011401
C104, 105	Capacitor, Electrolytic, 40 μ F, 150V	045-200509	R102, 103	Resistor, Composition, 470K ohm, 10%, 1 watt	451-352474
C106, 107	Capacitor, Ceramic Disc 0.01 μ F, 1400V	047-001309	R104	Resistor, Wirewound, 50K ohm, 5%, 50 watt	024-001408
CR101, 102, 103, 104, 105, 106, 107, 108, 109, 110, 111, 112, 113, 114, 115	Rectifier, Silicon, Type 1N2484	019-002634	R105	Resistor, Composition, 560 ohm, 5%, 2 watt	451-651561
F101	Fuse, 5 ampere, 3AG	039-100460	R106	Resistor, Composition, 3900 ohm, 5%, 2 watt	451-651392
J101, 102	Socket, Power (11-pin)	006-100707	R107	Resistor, Composition, 6800 ohm, 5%, 1 watt	451-351682
J103, 104	Connector, High Voltage	010-002257-2	F101	Fuseholder	016-200983
L101	Coil, Choke, Swinging Filter, 8 to 27 henry	056-000476		Line Cord	006-200845
L102	Coil, Choke, Filter, Smoothing, 9 henry	056-000477		Lock, Line Cord	087-204690
				Plate, Bottom	076-100953
				Plug Assembly, Jumper (11-pin) (Inc. P101 and R107)	063-005442
				Strap, Nylon	150-003323
					076-102950

094-903000

1161